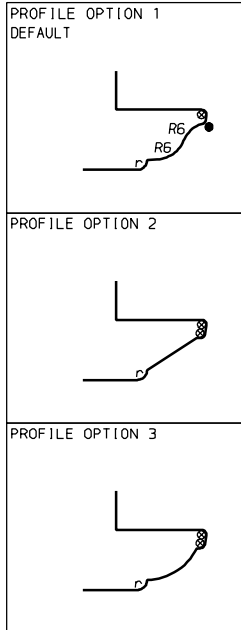
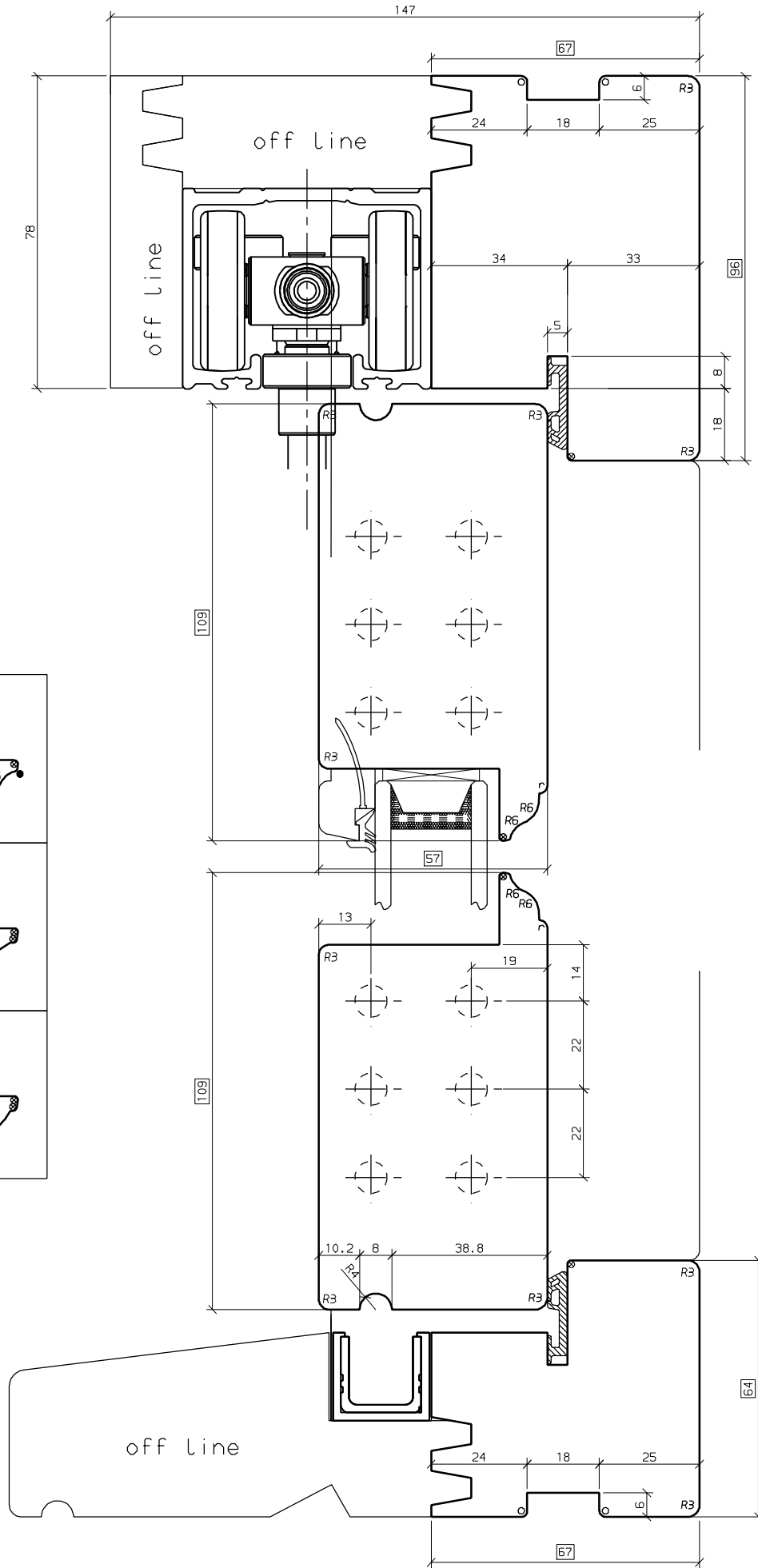
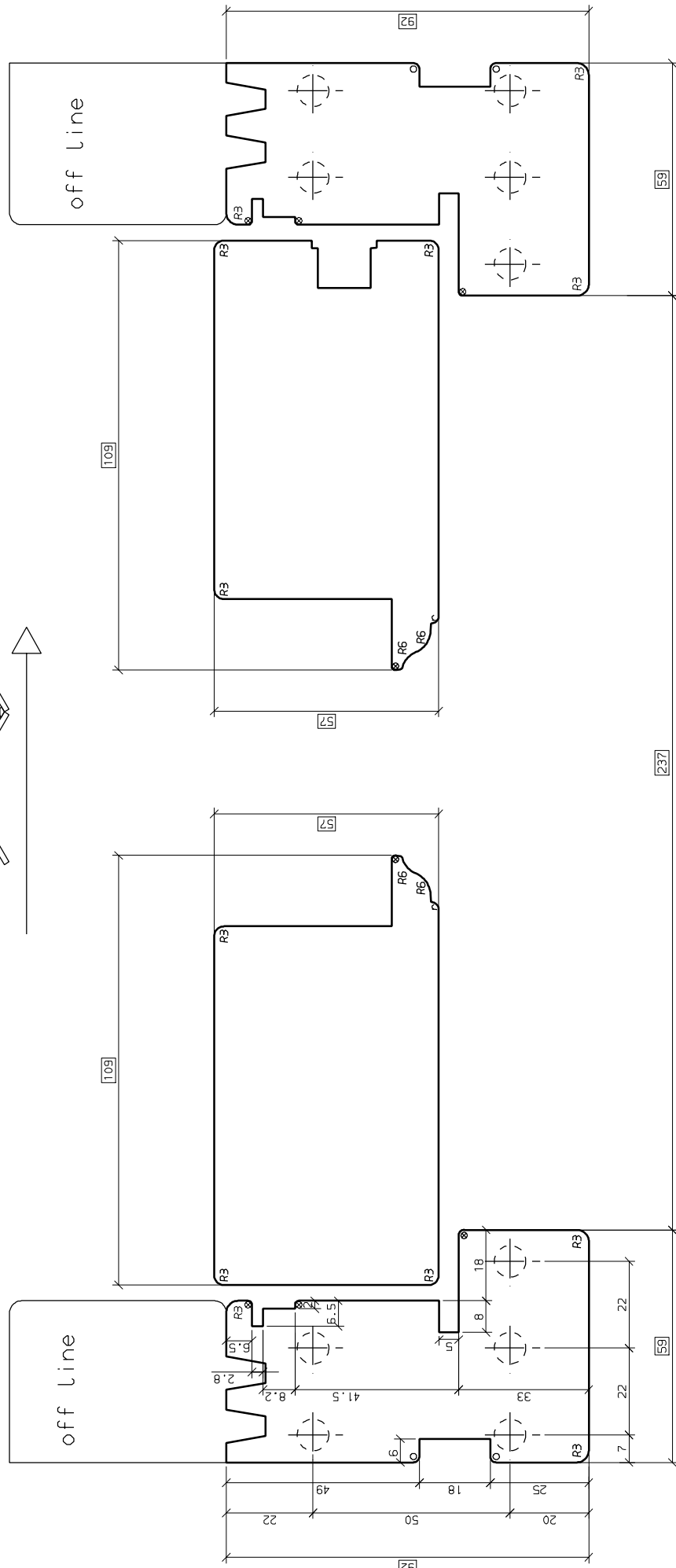
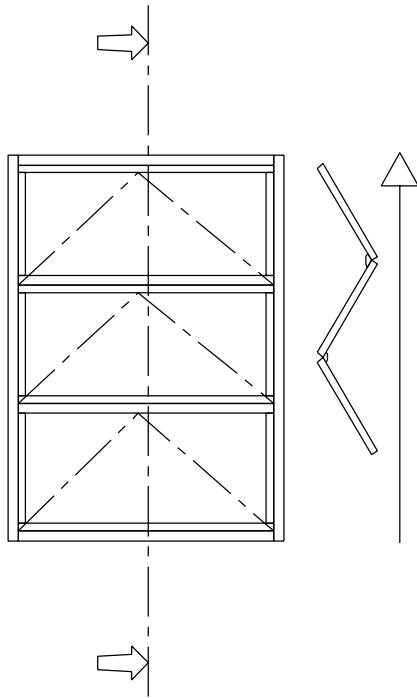


- ☒ = Schleifz.
- \* = 0.5 mm
- = 0.5x45°
- X = 1 x45°
- = 1.5x45°
- ▽ = 2 x45°
- ⊙ = R 0.5
- ⊗ = R 1
- = R 1.5
- ∩ = R 2
- ∪ = R 2.5



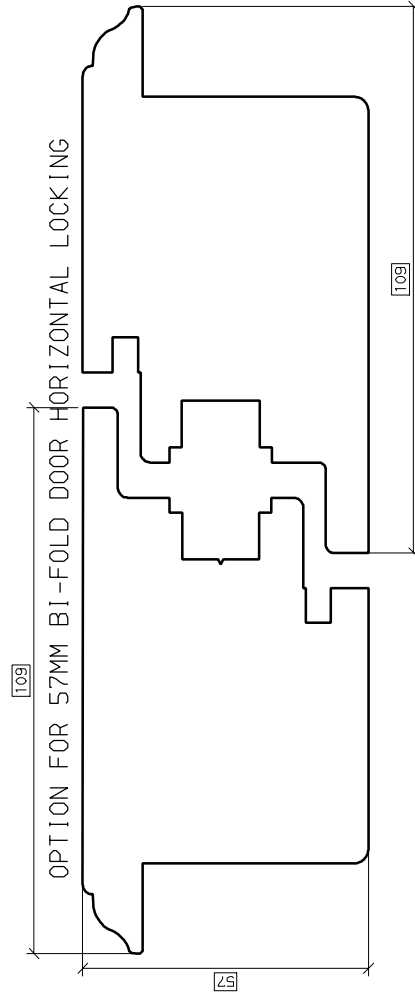
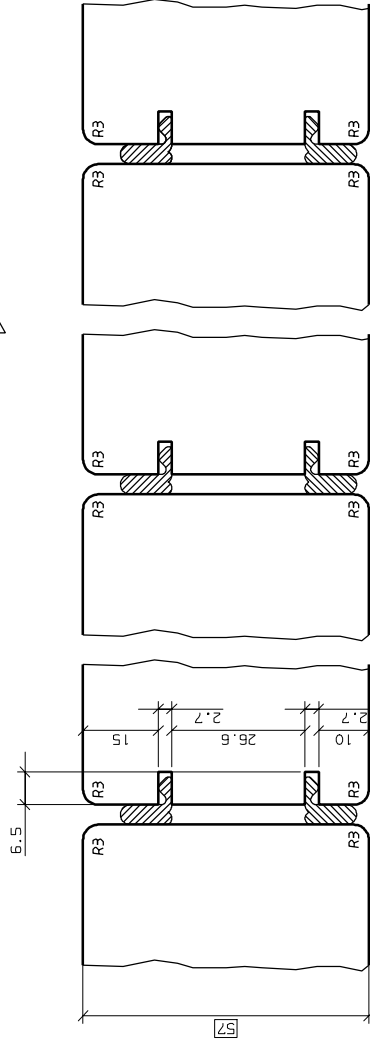
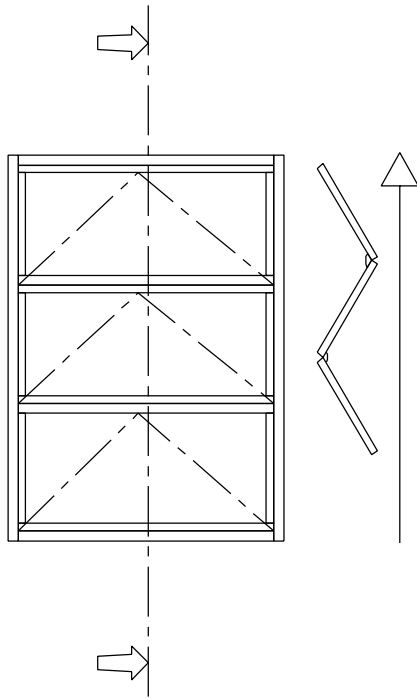
|                              |                   |   |              |
|------------------------------|-------------------|---|--------------|
|                              |                   | (C) 19.07.11 M1G DIVERSES   |              |
|                              |                   | FOLDING SLIDING DOORSET<br>VERTICAL SECTION<br>WEINIG CONTUREX - C124 |              |
| Messteich 1:1                | A3                | Bez. 08.07.11 M1G   | 08.07.11 M1G |
| K-Nr. 1004722                | Gepr. 19.07.11    | FRC   | FRC          |
| K-Name FSA - RENALL DOOR     | FSA - RENALL DOOR |   |              |
| Ers. dt. SD 1501451 060 01 B |                   | SD 1501451 060 01 C   |              |

- ☒ = Schleifz.
- \* = 0.5 mm
- = 0.5x45°
- x = 1 x45°
- = 1.5x45°
- ▽ = 2 x45°
- = R 0.5
- = R 1
- = R 1.5
- C = R 2
- R = R 2.5



|                         |  |                     |                   |       |          |          |     |
|-------------------------|--|---------------------|-------------------|-------|----------|----------|-----|
| <b>OERTLI</b>           |  | Modschl             | 1:1               | A3    | Gez.     | 11.07.11 | MIG |
| FOLDING SLIDING DOORSET |  | K-Nr.               | 1004722           | Gepr. | 13.07.11 | FRC      |     |
| HORIZONTAL SECTION      |  | K-Name              | FSM - RENALL DOOR |       |          |          |     |
| Ers.d.t.                |  |                     |                   |       |          |          |     |
| Ers.f.t.                |  |                     |                   |       |          |          |     |
| WEINIG CONTUREX - C124  |  | SD 1501451 061 01 A |                   |       |          |          |     |

- ☒ = Schleifz.
- \* = 0.5 mm
- = 0.5x45°
- X = 1 x45°
- = 1.5x45°
- ▽ = 2 x45°
- = R 0.5
- ⊙ = R 1
- ⊖ = R 1.5
- C = R 2
- R = R 2.5



|                             |  |                         |                 |                     |                   |       |          |          |     |
|-----------------------------|--|-------------------------|-----------------|---------------------|-------------------|-------|----------|----------|-----|
| <b>OERTLI</b>               |  | (B) 19.03.12 RIB        | PROF.LAENDERUNG | M65ced              | 1:1               | A3    | Gez.     | 11.07.11 | M1G |
| Ers. dt.                    |  | FOLDING SLIDING DOORSET |                 | K-Nr.               | 1004722           | Gepr. | 19.03.12 | R1B      |     |
| Ers. f. SD 1501451 062 01 A |  | HORIZONTAL SECTION      |                 | K-Name              | FSA - RENALL DOOR |       |          |          |     |
|                             |  | WEINIG CONTUREX - C124  |                 | SD 1501451 062 01 B |                   |       |          |          |     |